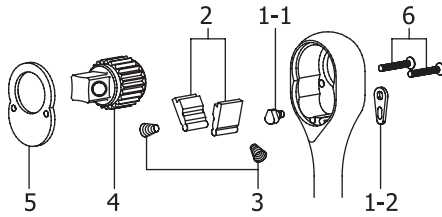
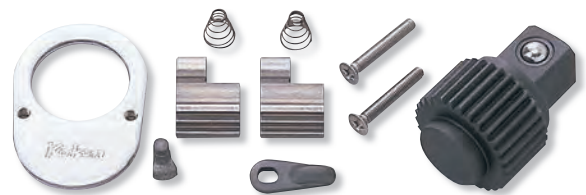
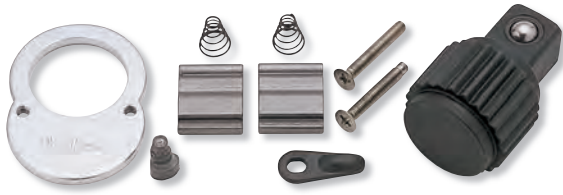


**SPARE PART SETS  
ERSATZTEILSÄTZE  
PIÉCES DE RECHANGE**

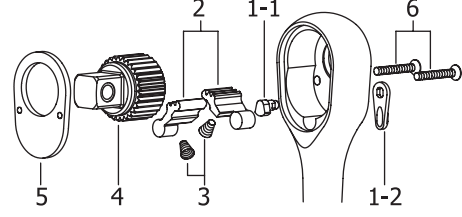


Spare Part Sets  
Ersatzteilsätze  
Pièces de rechange

SPARE PART CONSTRUCTION MOTORCYCLE AUTOMOTIVE INDUSTRIAL PROTECTOR SLEEVE-DRIVE IMPACT SCREWDRIVERS ACCESSORIES TITANIUM HAND Z-SERIES



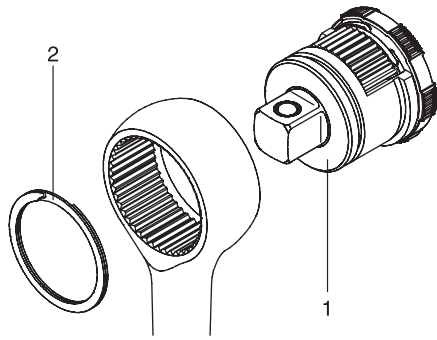
- 1-1 Reversion Cam
- 1-2 Reversion Lever
- 2 Dog
- 3 Spring
- 4 Square Drive
- 5 Cover plate
- 6 Screw



- 1-1 Reversion Cam
- 1-2 Reversion Lever
- 2 Dog
- 3 Spring
- 4 Square Drive
- 5 Cover plate
- 6 Screw

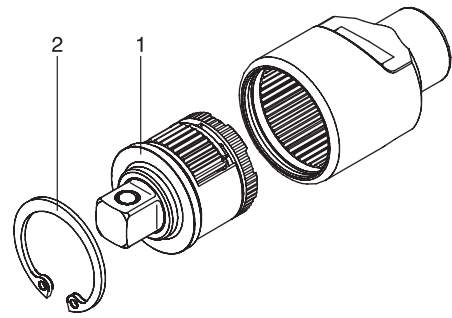
	▣	Products	(g)	(pce.)
2749RK		2749N/P/J	30	1
2753RK	1/4"	2753N/P/J, 2753PS/PSKR, 2753P-160, 2774PS/JS, 2774N/P/J	30	1
2753BRK		2753NB/PB/JB	31	1
2749RK-3/8		2749PS-3/8, 2749N-3/8, 2749P-3/8, 2774PS-3/8, 2774JS-3/8	45	1
3749RK		3749S, 3749N	70	1
3749BRK	3/8"	3749SB	84	1
3753RK		3753N/P/J, 3753SM, 3753P-250, 3774N/P/J, 3774PS, 3774NL/PL/JL	84	1
3753BRK		3753NB/PB/JB, 3753SMB, 3774NB/PB/JB/JBL	76	1
3749SRK-1/2		3749S-1/2	120	1
3749SBRK-1/2		3749SB-1/2	120	1
4749RK	1/2"	4749N-250, 4749N-380, 4749J-380	130	1
4753RK		4753N/P/J, 4753P-410, 4774N/P/J, 4774P-450	130	1
4753BRK		4753NB/PB/JB, 4774NB/PB/JB	130	1
6749RK	3/4"	6749, 6749-1000	580	1
8749RK	1"	8749, 8749-1000	800	1

	▣	Products	(g)	(pce.)
4750RK	1/2"	4750N/P/J	130	1
4750BRK		4750NB/PB/JB	130	1



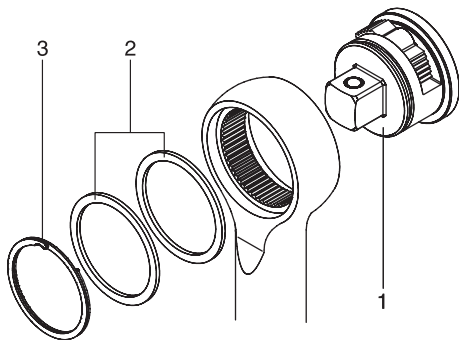
1 Head  
2 Retaining Ring

	□	Products	(g)	(pce.)
3752RK	3/8"	3752N/J, 3757, 3776N/P/J	84	1
4752RK	1/2"	4752N/J	140	1



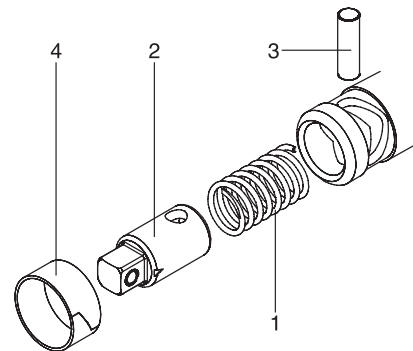
1 Head  
2 Retaining Ring

	□	Products	(g)	(pce.)
2755RK	1/4"	2755	40	1
3755RK	3/8"	3755	98	1
4755RK	1/2"	4755	137	1
6755RK	3/4"	6755	550	1



1 Head  
2 Ring  
3 Retaining Ring

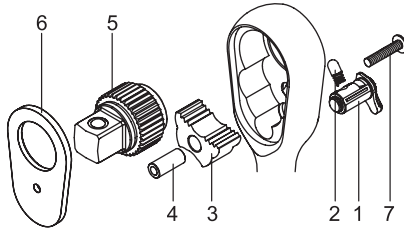
	□	Products	(g)	(pce.)
6752RK	3/4"	6752	600	1



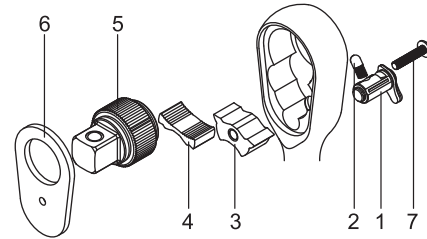
1 Spring  
2 Square Drive  
3 Pin  
4 Retaining Ring

	□	Products	(g)	(pce.)
3112RK	3/8"	3112N	106	1
4112RK	1/2"	4112N	116	1
6112RK	3/4"	6112	445	1

Z-SERIES  
HAND  
TITANIUM  
ACCESSORIES  
SCREWDRIVERS  
IMPACT  
SLEEVE-DRIVE  
PROTECTOR  
INDUSTRIAL  
AUTOMOTIVE  
MOTORCYCLE  
CONSTRUCTION  
SPARE PART



- 1 Reversion Lever
- 2 Pin+Spring
- 3 Pawl
- 4 Sleeve
- 5 Square Drive
- 6 Cover Plate
- 7 Screw



- 1 Reversion Lever
- 2 Pin+Spring
- 3 Pawl (Large)
- 4 Pawl (Small)
- 5 Square Drive
- 6 Cover Plate
- 7 Screw

**For 36 Tooth**

	□	Products	(g)	(pce.)
<b>2725RK-1</b>	1/4"	2725Z, 2725Z-160, 2726Z, 2726Z-160	30	1
<b>2725RK-1(3/8)</b>	3/8"	2725Z-3/8, 2725Z-3/8(L160), 2726Z-3/8, 2726Z-3/8(L160)	45	1
<b>3725RK-1</b>	3/8"	3725Z, 3725ZS, 3725Z-280, 3726Z, 3726ZS, 3726Z-280	50	1
<b>4725RK-1</b>	1/2"	4725Z	120	1

**For 72 Tooth**

	□	Products	(g)	(pce.)
<b>2725RK-2</b>	1/4"	2725Z, 2725Z-160, 2726Z, 2726Z-160	30	1
<b>2725RK-2(3/8)</b>	3/8"	2725Z-3/8, 2725Z-3/8(L160), 2726Z-3/8, 2726Z-3/8(L160)	45	1
<b>2725BRK-1(3/8)</b>	3/8"	2725ZB-3/8, 2725ZB-3/8(L160), 2726ZB-3/8, 2726ZB-3/8(L160)	45	1
<b>3725RK-2</b>	3/8"	3725Z, 3725ZS, 3725Z-280, 3726Z, 3726ZS, 3726Z-280	50	1
<b>3725BRK-1</b>	3/8"	3725ZB, 3725ZSB, 3725ZB-280, 3726ZB, 3726ZSB, 3726ZB-280	50	1
<b>4725RK-2</b>	1/2"	4725Z	120	1
<b>4725BRK-1</b>	1/2"	4725ZB	120	1

**⚠** 72 teeth repair kit do not fit on 36 teeth ratchets  
Das Reparaturset mit 72 Zähnen passt nicht auf Ratschen mit 36 Zähnen  
Le kit de réparation 72 dents ne convient pas aux cliquets 36 dents

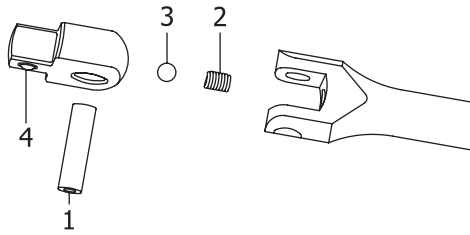


**Screwdriver / Schraubendreher / Tournevis**

For the mounting of repair sets  
Zur Montage von Reparatursätzen  
Pour l'installation de kits de réparation

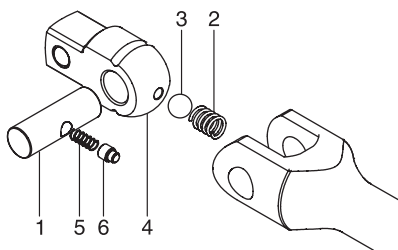
TORXPLUS® 6IP Screwdriver for 2725RK  
TORXPLUS® 8IP Screwdriver for 3725RK  
TORXPLUS® 10IP Screwdriver for 4725RK

168T (IP)	H (mm)	L (mm)	(g)	(pce.)
<b>6IP(40)</b>	40	110	20	1
<b>8IP(40)</b>	40	110	20	1
<b>10IP(40)</b>	40	110	22	1



- 1 Pin
- 2 Coil Spring
- 3 Ball
- 4 Square Drive

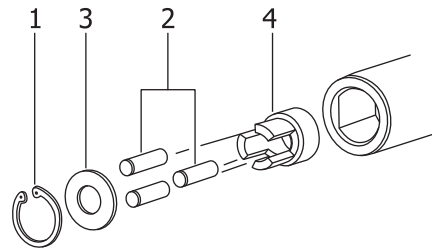
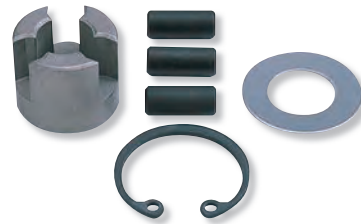
	▣	Products	(g)	(pce.)
2768RK	1/4"	2768N/P/J	40	1



- 1 Pin
- 2 Coil Spring
- 3 Ball
- 4 Square Drive
- 5 Coil Spring
- 6 Plunger



	▣	Products	(g)	(pce.)
3768RK	3/8"	3768N-175/250/300, 3768P-250/380, 3768J-250	40	1
3768ZRK	3/8"	3768Z-250/400	40	1
4768RK	1/2"	4768N-300/380/450/600, 4768N-380/450/600, 4768J-380/450/600, 4781N-450	137	1
4768ZRK	1/2"	4768Z-430	137	1
6768RK	3/4"	6768, 6768-600, 6768-1000	175	1
8768RK	1"	8768, 8768-1000	465	1



- 1 Retaining Ring
- 2 Roller
- 3 Cover
- 4 Cage

4100MRK (mm)	▣	Products	(pce.)
6	1/2"	4100M-6	1
7		4100M-7	1
8		4100M-8	1
9		4100M-9	1
10		4100M-10	1
10.5		4100M-10.5	1
11		4100M-11	1
12		4100M-12	1
14		4100M-14	1
16		4100M-16	1

4100ARK (inch)	▣	Products	(pce.)
1/4	1/2"	4100A-1/4	1
5/16		4100A-5/16	1
3/8		4100A-3/8	1
7/16		4100A-7/16	1
1/2		4100A-1/2	1
9/16		4100A-9/16	1
5/8		4100A-5/8	1

6100MRK (mm)	▣	Products	(pce.)
18	3/4"	6100M-18	1
20		6100M-20	1
22		6100M-22	1
24		6100M-24	1
27		6100M-27	1
28		6100M-28	1
29		6100M-29	1
30		6100M-30	1

162RK	Products	(pce.)
5/16	162E-5/16	1
3/8	162E-3/8	1
1/2	162E-1/2	1
10	162E-10	1